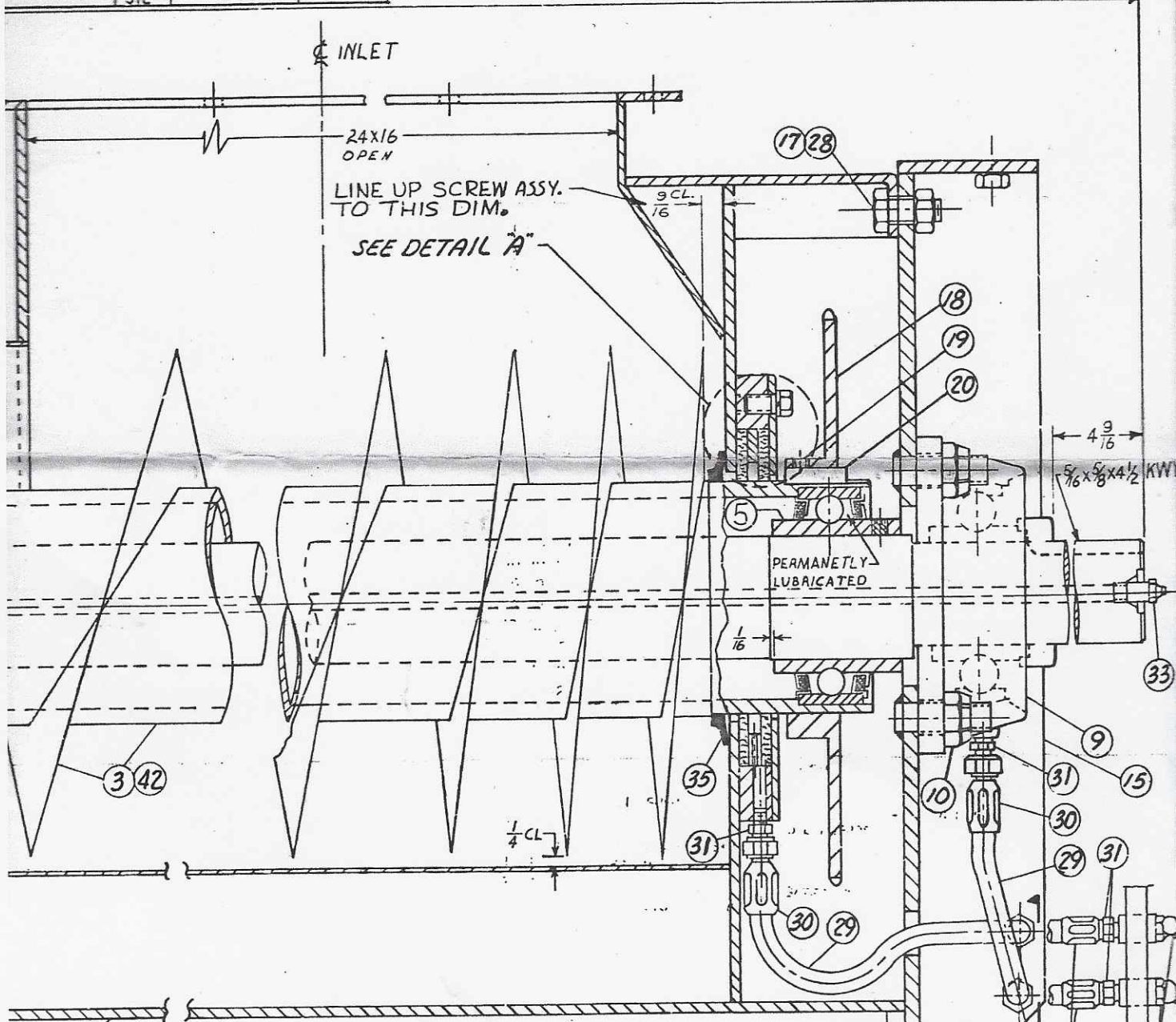


3				2				1			
				QUANTITIES ARE FOR ONE UNIT							
MATL SPEC	D.G. PT OR PC NO	PATT NO	ASSY OR PART NO & QTY	PC NO	DESCRIPTION	MATL SPEC	DWG. PT OR PC NO	PATT NO			
GR-5 STL	WA43494		03/02/01/00	X 1	SECT. ASSY., 18 X 56 D.O. FEEDER COND. (304 SST)						
AT. 1/2"				1 2	CASING, FEEDER-COND. ASSY.		D573-204-00				
	B4414-200-00			1 3	SCREW FEEDER		B575-100-00				
5/8 D.P. PT. C1018	WA04313			1 4	SHAFT, AGITATOR		C2469-105-00				
	B3601-201/1			2 2	BRG., WIDE INNER RING, BALL, 2-15/16 DIA., SEALMASTER ER47		WA10383				
GR-5 STI	WA44554			1 6	COVER, BRG.		B3600-200/1				
	B3601-202/1			2 2	SCREW, CAP. HEX. SOC. HD., 1/4 NC X 3/4 18-8 SST		WA45277				
	B3601-203/1			2 2	SEAL, OIL, RADIAL, GARLOCK NO. 53X2225, 1/2W X 3-1/8 DIA. X 4.12		WA43937				
4 MOD. C. 12"	WA47620			1 1	BEARING, FLANGE, BLOCK, BALL, 2-7/16 DIA., FAFNIR LCJO		WA44480				
	A 1786-000-00			4 4	NUT, LOCK, FULL HGT. HEAVY HEX. 3/4 NC FLEX LOCK 18-8SST		WA50156				
18-8 SST	WA09326			1 1	RETAINER, SEAL		A831-006/1				
C FLEX LOCK 18-8 SST	WA28517			1 1	BRG. FLANGED BLOCK, BALL, 1-1/2 DIA. SEALMASTER SF24		WA12349				
	WA43488			2 2	PIN, SLOTTED, SPRING, 1/4 X 1/2 LG. 18-8 SST		WA27605				
6 JIC, AERO NO. 411-45	WA43488			1 1	SEAL, OIL, RADIAL, GARLOCK NO. 63X646, 3/8W X 1.5		2.375 00	WA43939			
PE, AERO NO. 2021-2-45	WA39648			1 1	PL., BRG. SUPPORT		B3563-100-00				
TEL. ALENITE NO. 1688	WA12648			2 2	PIN, SLOTTED SPRING, 3/8 X 3/4 LG.		STL	WA46947			
ALENITE NO. 1669-B	WA45425										
	STL										



SUPERSEDES DWG D3650-215

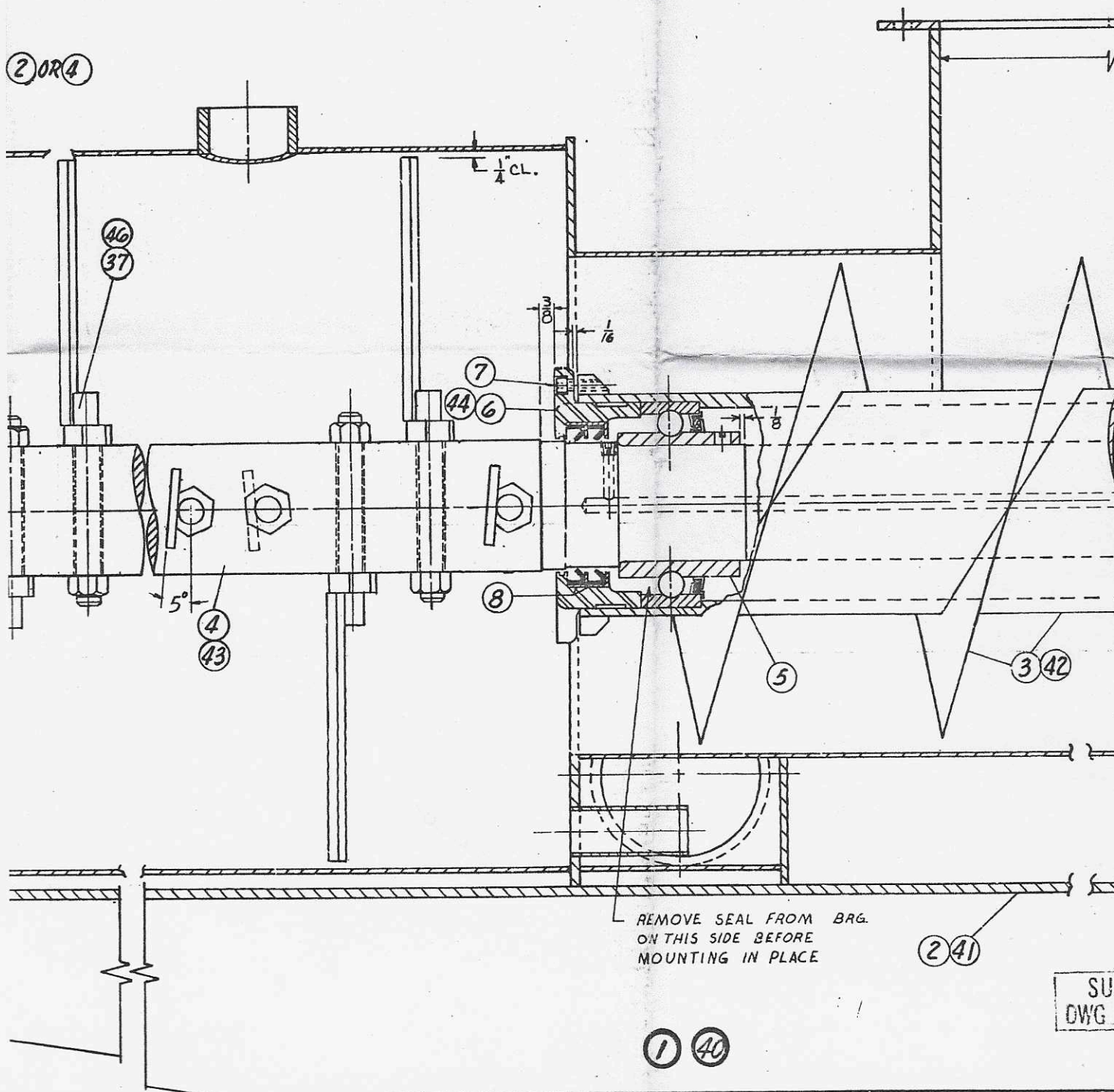
AFTER PL. 15 IS MOUNTED IN POSITION, DRILL 3/8 DIA. HOLE THRU BASE FOR ROLL PIN.

EST. WT. = 1050 LBS.
ASSY. DWG. = D3650-220

27 WA 09326 LBS 09322		38 Qty 25 was 26		MOVED Pcs 3, 39, 45		S 10 f 34 REV WA NO		REV WA NUMBERS	
ALL DIMENSIONS ARE IN INCHES									
UNLESS OTHERWISE NOTED									
FRACTION ±					DECIMAL ±				
MACHINED FILLET RADII 1/32 ± 1/32									
ROUGHNESS HEIGHT ON ALL MACHINED SURFACES									
SHALL NOT EXCEED √ MICRO-INCHES									
CONFIDENTIAL PROPERTY OF SPROUT, WALDRON & Co. Inc. MUNCY, PA.					BY NAME DATE		ORDER NO.		
SECTIONAL ASSY OF 18 X 56 DUAL DRIVE FEEDER COND. WITH ADJ. PADDLES					DE CE 5 FEB 77		SHEET OF		
					CHECK		DRAWING NUMBER		
					APPRO 228		D3650-220		
					SCALE		MFG. SPEC. PRINTS		

PARTS ARE FOR ONE UNIT				QUANTITIES ARE FOR ONE UNIT							
DESCRIPTION	MATL SPEC	DWG. PT OR PC NO	PATT NO	ASSY OR PART NO & QTY				DESCRIPTION	MATL SPEC	DWG OR P	
				03	02	01	00				
FULL HGT, HEAVY HEX, 1/4NC, FLEXLOCK	18-8SST	WA 50152			6	6	17	SCREW, CAP, HEX HD, 1/2 NC, 1-1/4	GR-5	STL	WA43
JOHNS-MANVILLE NO. 13868-SSW		WA47502			1	1	18	SPROCKET, SINGLE ROLLER CHAIN, 84T, 1/2P, NO. 40			B441
ADJUSTABLE AGITATOR		B4078-001-00			2	2	19	SCREW, SET, HEX SOC, HD, 3/8 NC X 5/8, CUP PT.		STL	WA02
FULL HGT, HEAVY HEX, 5/8NC, FLEXLOCK	18-8SST	WA41667			1	1	20	KEY 3/8 X 3/8 X 1-1/2 LG.	C1018	CFS	B361
					1	1	21	RING, SPLIT			B361
					4	4	22	SCREW, CAP, HEX HD, 3/8 NC X 3/4	GR-5	STL	WA44
Y, 18 X 56 DD FEEDER COND. (316 SST)					2	2	23	RING, SEAL			B361
FEEDER-COND ASSY.		D573-205-00			1	1	24	RING, SPACER			B361
FEEDER		B575-102-00			1	1	25	MAGNET, HEAVY DUTY, ERIEZ, FIG. 4 MOD. C, 12"			WA44
AGITATOR		C2469-105-01			2	2	26	CLIP, MAGNET SUPPORT			A 11
AG.		B3600-200/2			4	4	27	SCREW, CAP, HEX HD, 1/4 NC X 1/2	18-8	SST	WA02
					10	10	28	NUT, LOCK, FULL HGT, HEAVY HEX, 1/2NC, FLEXLOCK	18-8	SST	WA21
ADJUSTABLE AGITATOR		B4078-001-01			2	2	29	HOSE, AEROCUPLIP NO. 1503-4 X 24 LG.			
					4	4	30	FITTING, HOSE, SWVL, 1/4 HOSE X 7/16 JIC, AERO NO. 411-45			WA44
					4	4	31	FITTING, TUBE, ADAPTOR, JIC, MALE PIPE, AERO NO. 2021-2-45			WA33
					3	3	32	FITTING, GREASE, 45 DEG, THRD, 1/8 STL, ALEMITE NO. 1688			WA11
					1	1	33	FITTING, GREASE, STR. THRD, 1/8 STL, ALEMITE NO. 1669-B			WA44
										STL	

8'-11 1/2"

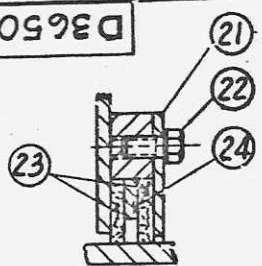


REMOVE SEAL FROM BAG ON THIS SIDE BEFORE MOUNTING IN PLACE

SUP DWG

D	PC. 27	WA 09326	WAS 09322	78	20	PC
C	PC. 38	QTY. 25	WAS 26	5	20	PC
		REMOVED Pcs. 36, 39, 45				PC
A	PC. 5	WAS 28	WAS 28			PC

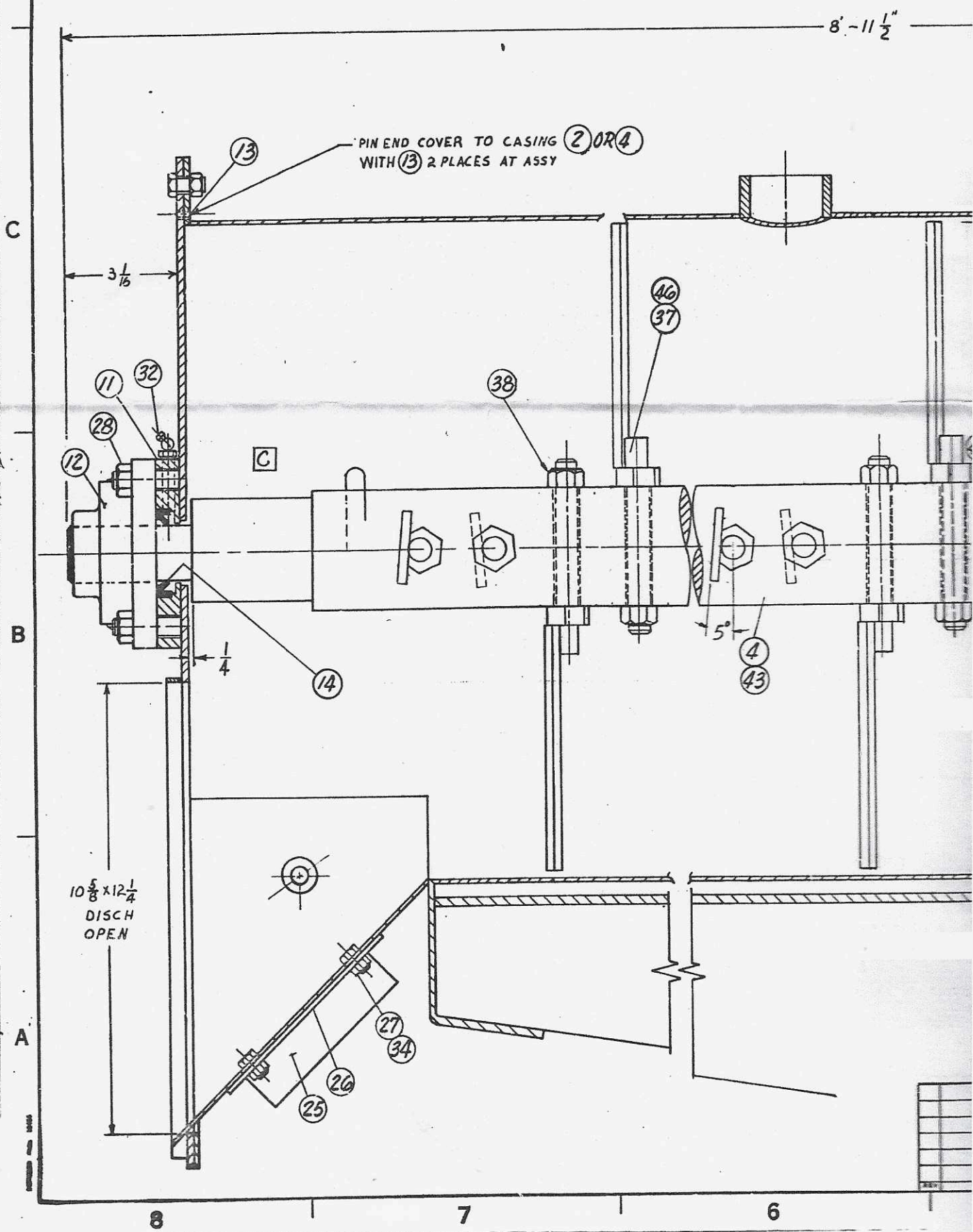
D3650-221



DETAIL A

QUANTITIES ARE FOR ONE UNIT

ASSY OR PART NO & QTY			PC NO	DESCRIPTION	MATL SPEC	DWG. PT OR PC NO	
03	02	01	00				
B	A	4	4	34	NUT, LOCK, FULL HGT, HEAVY HEX, 1/4NC, FLEXLOCK 18-8SST	WA 50152	
		1	1	35	SEAL, OIL, JOHNS-MANVILLE NO. 13868-SSW	WA47502	
				25	37	PADDLE, ADJUSTABLE AGITATOR	B4078-001-00
C	A	25	25	38	NUT, LOCK, FULL HGT, HEAVY HEX, 5/8NC, FLEXLOCK 18-8SST	WA41667	
				X	40	SECT. ASSY, 18 X 56 DD FEEDER COND. (316 SST)	
				I	41	CASING, FEEDER-COND ASSY.	D573-205-00
				I	42	SCREW, FEEDER	B575-102-00
				I	43	SHAFT, AGITATOR	C2469-105-01
				I	44	COVER, BRG.	B3600-200/2
C				25	46	PADDLE, ADJUSTABLE AGITATOR	B4078-001-01



10 5/8 x 12 1/4
DISCH
OPEN